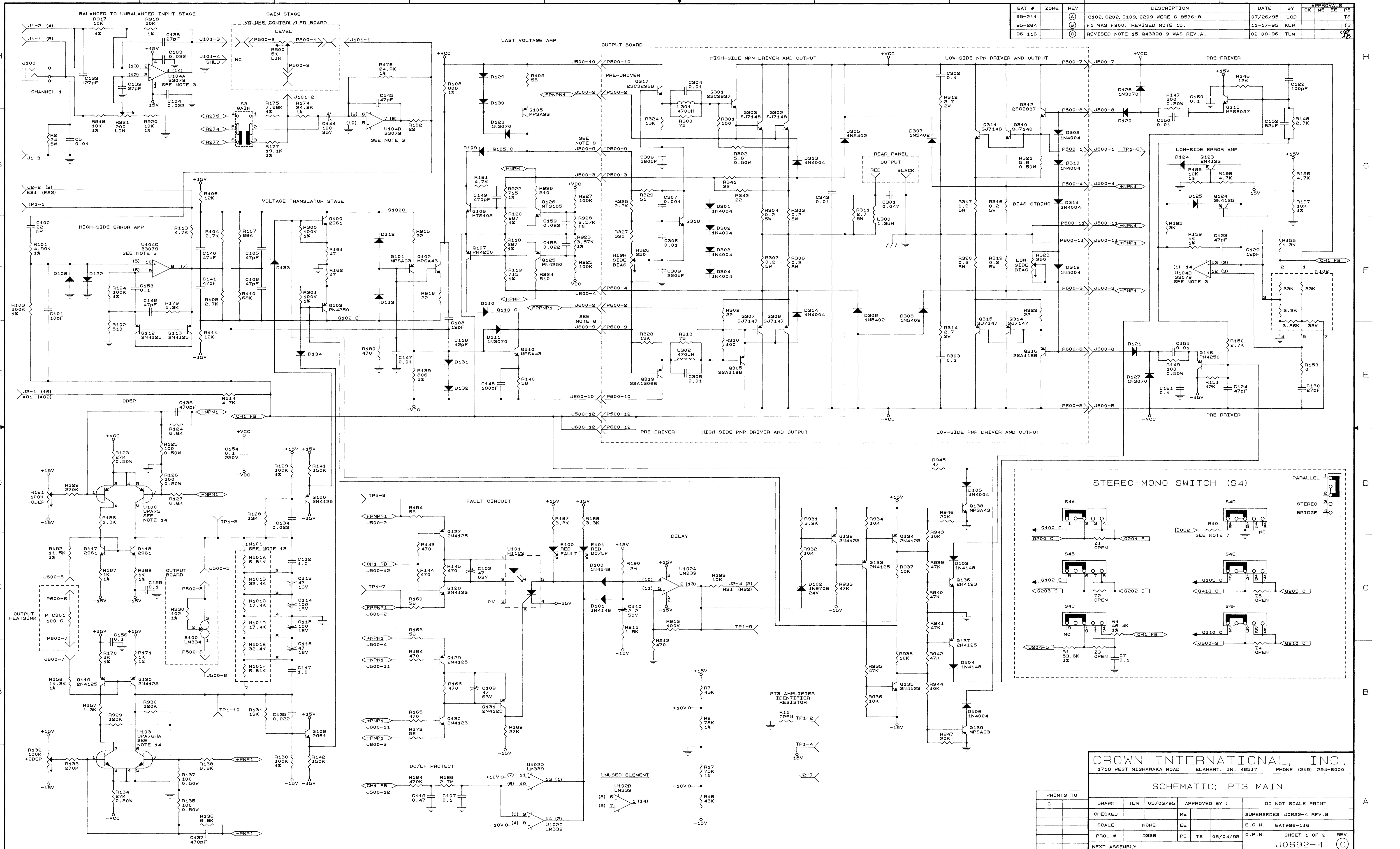


EAT #	ZONE	REV	DESCRIPTION	DATE	BY	APPROVALS
95-211		(A)	C102, C202, C109, C209 WERE C 8576-B	07/26/95	LCD	TS
95-284		(B)	F1 WAS F900, REVISED NOTE 15.	11-17-95	KLW	TS
96-116		(C)	REVISED NOTE 15 Q43398-B WAS REV.A.	02-08-96	TLM	TS



CROWN INTERNATIONAL, INC.
 1718 WEST MISHAWAKA ROAD ELKHART, IN. 46517 PHONE (219) 294-8000

PRINTS TO			
G			

SCHEMATIC; PT3 MAIN			
DRAWN	TLM	05/03/95	APPROVED BY :
CHECKED	ME		DO NOT SCALE PRINT
SCALE	NONE	EE	SUPERSEDES J0692-4 REV.B
PROJ #	D338	PE TS	E.C.N. EAT#96-116
NEXT ASSEMBLY			C.P.N. SHEET 1 OF 2 REV
			J0692-4 (C)

E.C.N.	ZONE	REV	DESCRIPTION	DATE	BY	APPROVALS
		0				CK ME LEE PE

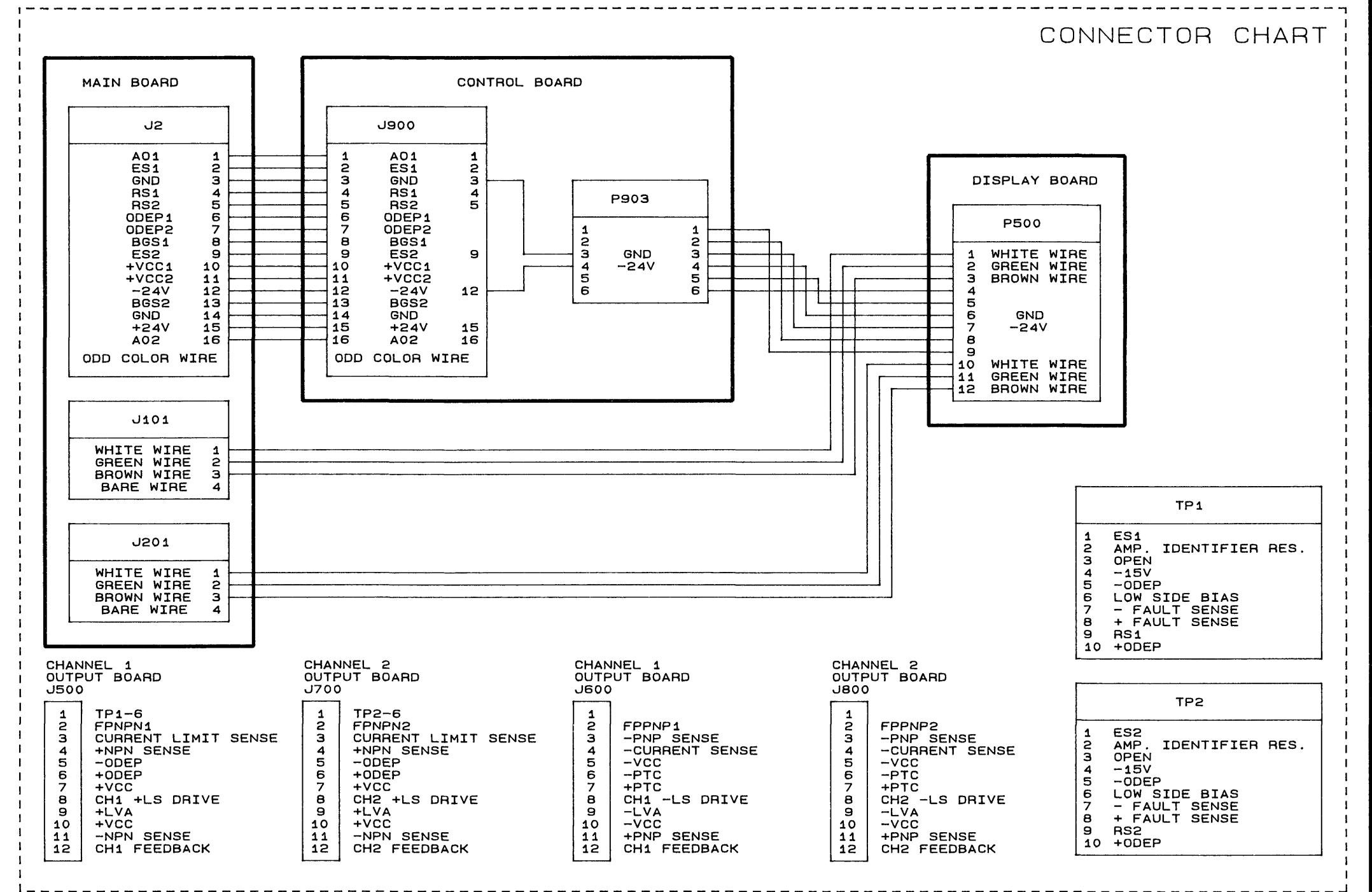
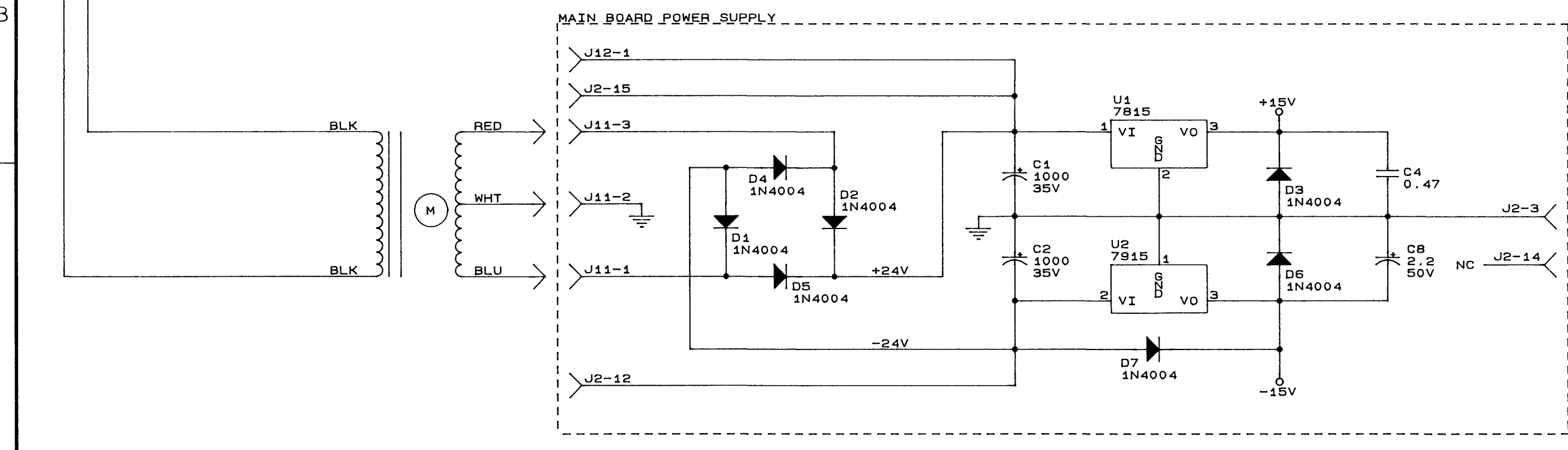
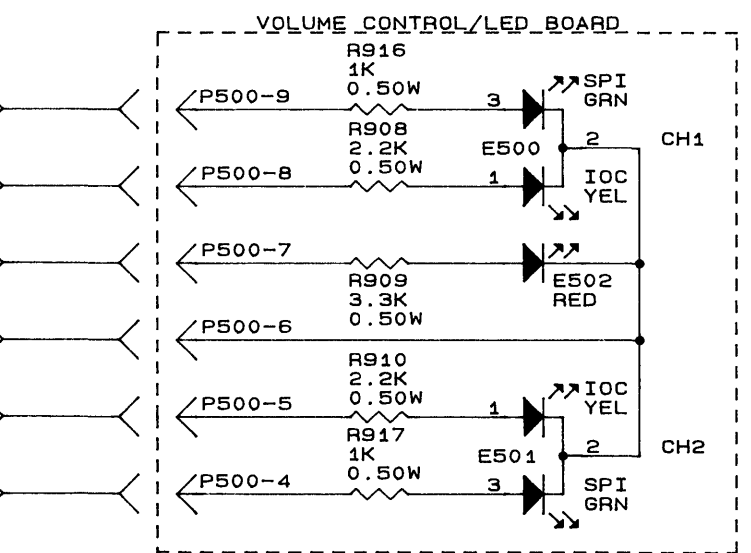
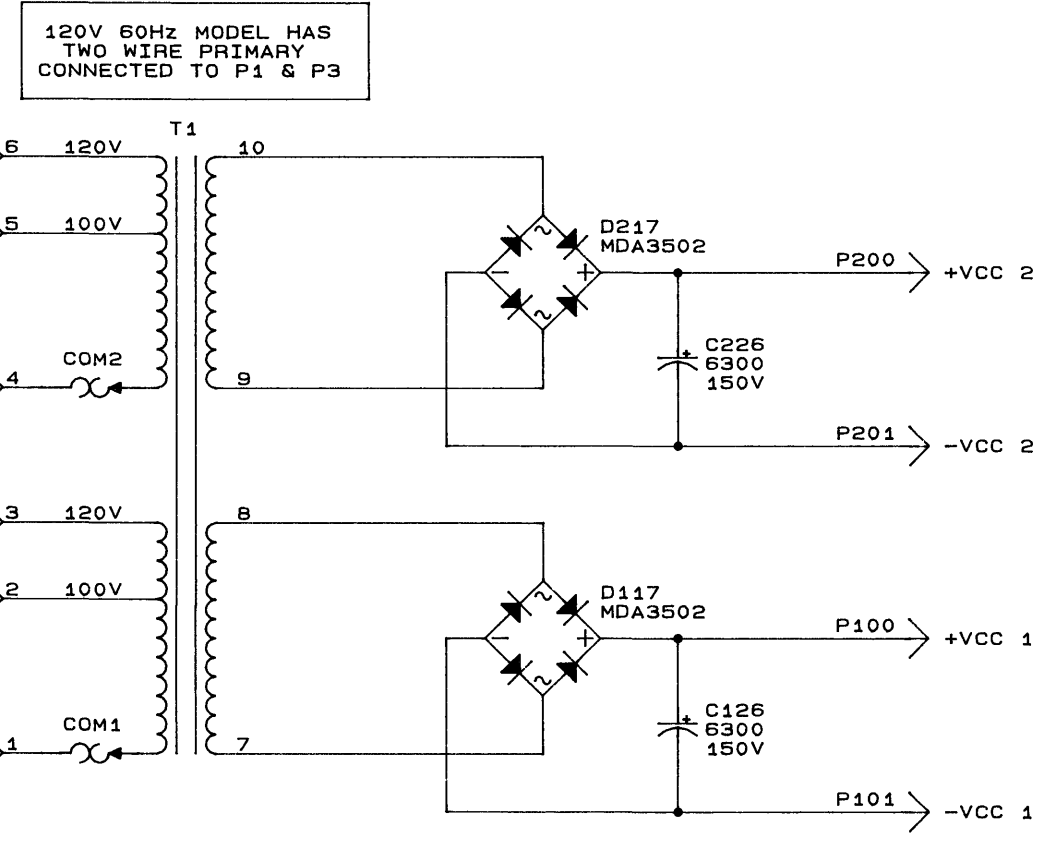
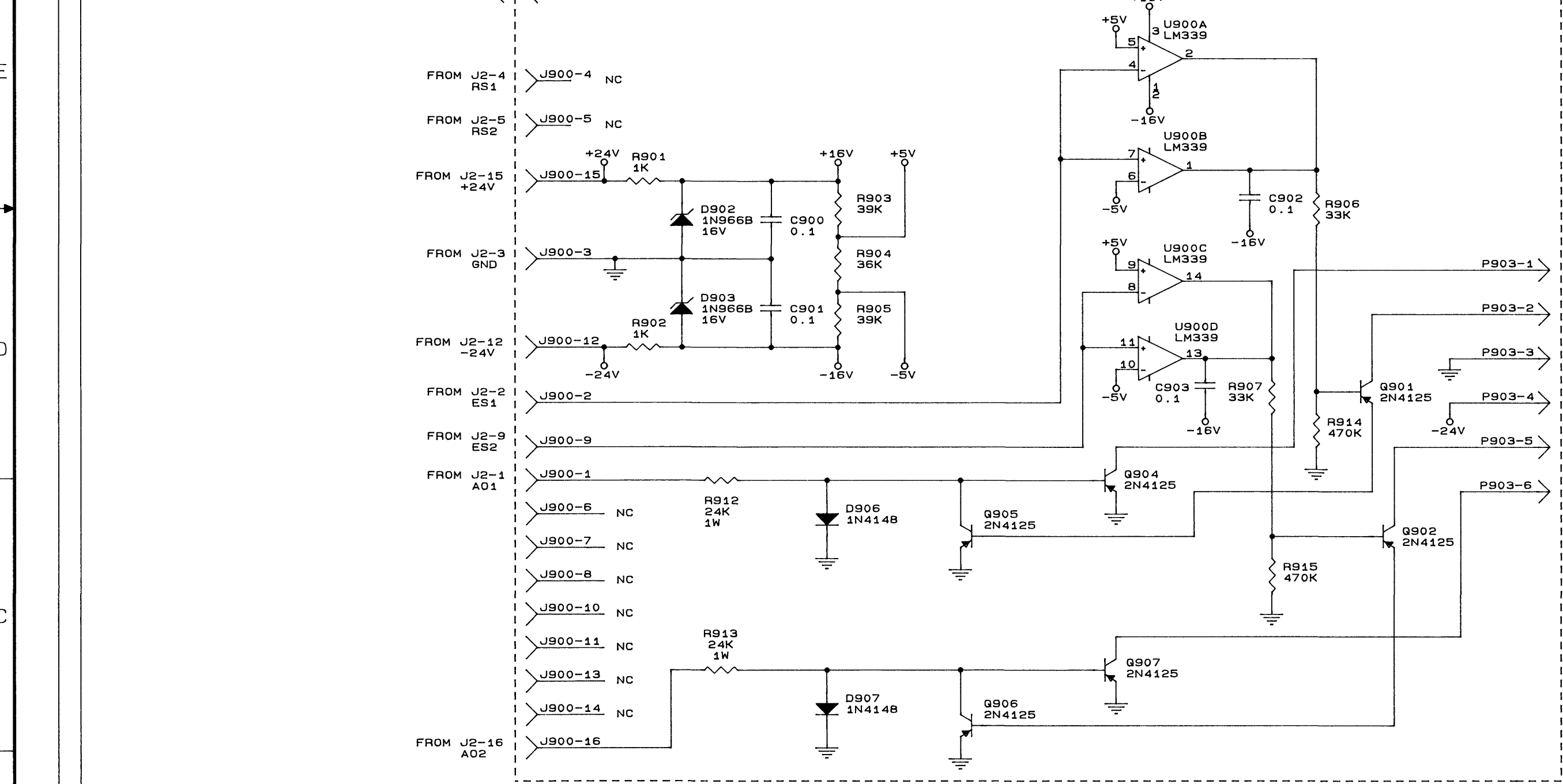
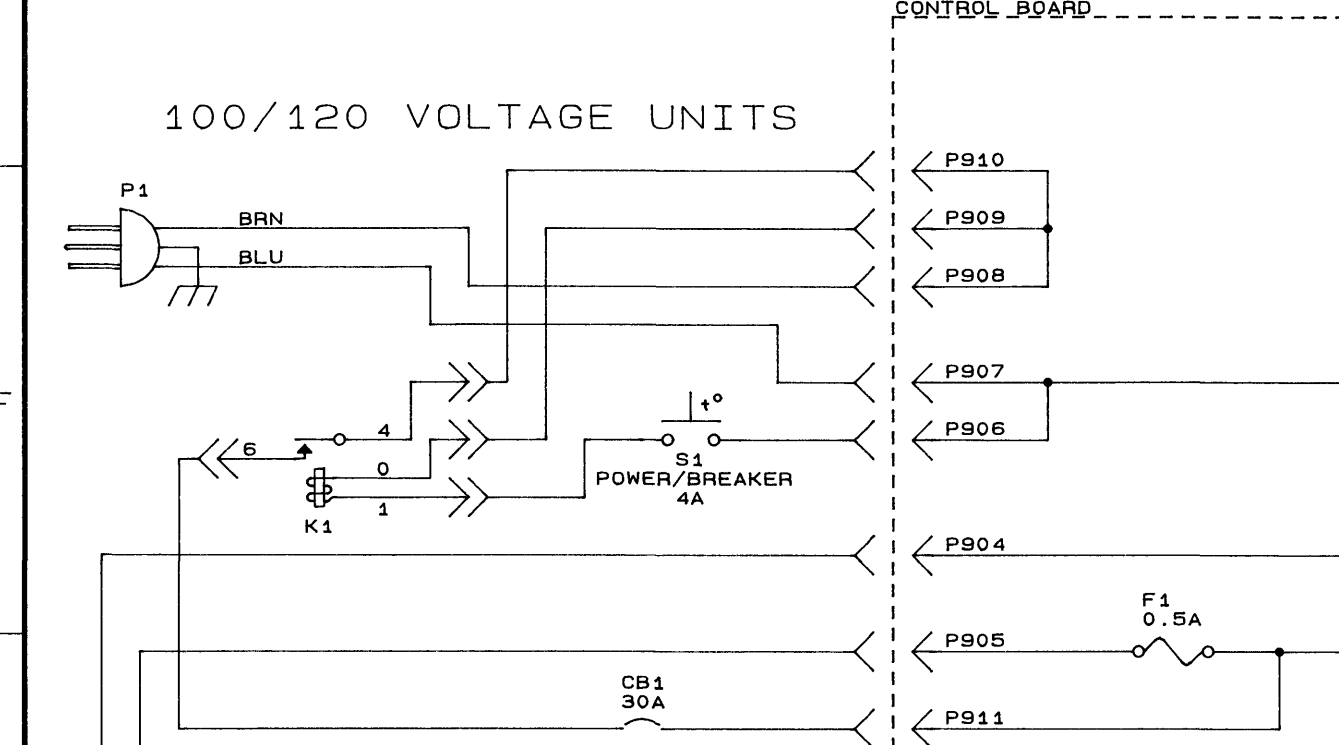
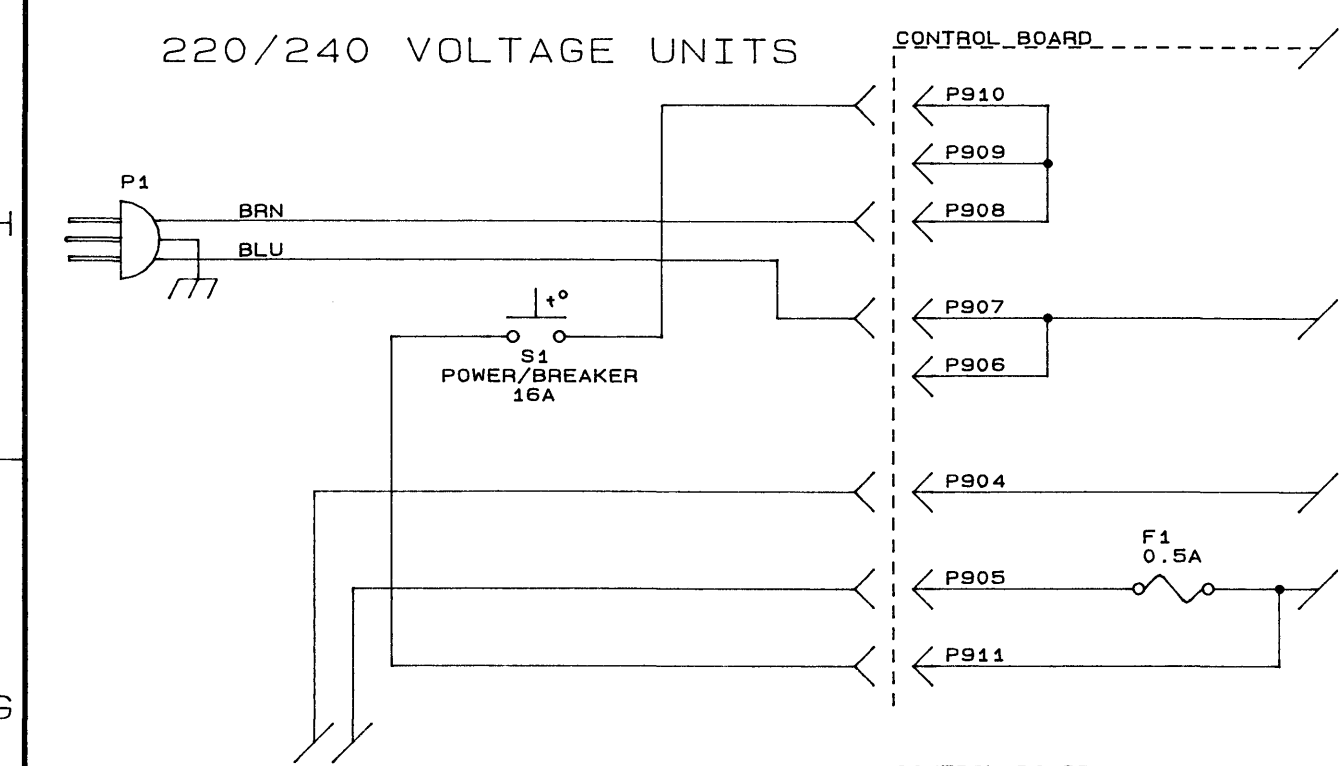


TABLE 1

AC LINE VOLTAGE	100V	120V	220/230V	240V	120V 60HZ
WIRING CONFIGURATIONS	P15-P17	P16-P17	P15-P17	P16-P17	P6-P16
FOR SPECIFIC VOLTAGES	P11-P14	P11-P14	P14-P18	P14-P18	P5-P15
	P12-P20	P13-P20	P13-P19	P13-P19	P13-P20
TRANSFORMER CPN	D 6914-2			D 6803-7	

NOTES:

- ALL RESISTORS ARE IN OHMS, 1/4W, 5% UNLESS OTHERWISE SPECIFIED.
- ALL CAPACITORS ARE IN MICROFARADS UNLESS OTHERWISE SPECIFIED.
- VALUES SELECTED AS NEEDED FOR DIFFERENT OP AMP CHARACTERISTICS.
- CHANNEL 2 IS SHOWN ON SHEET 3. WHEN SHEET 3 IS NOT PRINTED, THEN FOR CHANNEL 2 ADD 100 TO REFERENCE DESIGNATORS. (EXAMPLE: CHANNEL 1 R101 WOULD BE CHANNEL 2 R201.) CONNECTOR AND IC PIN NUMBERS FOR CHANNEL 2 ARE SHOWN IN PARENTHESES WHEN THEY DIFFER FROM CHANNEL 1. EXCEPTIONS ARE CHAN 1 R2 CORRESPONDS TO CHAN 2 R3, CHAN 1 C5 CORRESPONDS TO CHAN 2 C6, CHAN 1 J500 CORRESPONDS TO CHAN 2 J700, AND CHAN 1 J600 CORRESPONDS TO CHAN 2 J800.
- ALL DIODES ARE 1N4148 UNLESS OTHERWISE SPECIFIED.
- ON J500 AND J700 THE STRIPED WIRE GOES TO PIN 12 OF THE BOARD AND THE PIN NUMBERS MOLDED ON THE CABLE SOCKET ARE REVERSED FROM THE PIN NUMBERS ON THE BOARD AND THE SCHEMATIC.
- STANDARD UNIT HAS R10 OPEN. INSTALL JUMPER IN R10 TO DISABLE CHANNEL 2 IOC LIGHT IN PARALLEL MONO MODE.
- POWER SUPPLY VOLTAGES SHOWN UNDER NO LOAD/NO SIGNAL CONDITIONS.
- CHANNEL 2 PRE-DRIVER BASES LOOP THROUGH STEREO-MONO SWITCH S100, SECTIONS E AND F.
- T1 INCLUDES AN INTERNAL THERMAL SWITCH.
- R330 VALUE DEPENDS ON GRADE OF SENSOR S100 AS FOLLOWS:

GRADE OF SENSOR S100	VALUE OF RESISTOR R330
BLUE	107 OHM 1% 0.25W
GREEN	102 OHM 1% 0.25W
YELLOW	100 OHM 1% 0.25W
- R5 IS LEFT EMPTY.
- ALTERNATE 1/4W 1% RESISTORS ARE DESIGNATED AS N101A, N101B ETC.
- NEC COMPONENTS ARE SHOWN. ALTERNATE TOSHIBA PARTS ARE: NPN P/N 2SC3381 PNP P/N 2SA1348
- SCHEMATIC APPLIES TO AMPLIFIERS USING MAIN BOARD D887-4 / MODULE Q43388-8 REV B, OUTPUT BOARD P10429-2 / MODULE Q43338-3 AND CONTROL BOARD P10448-2 / MODULE Q43475-5.

COMMON

LAST USED	OBSOLETE
C8	C3
D7	
R18	R2, 3, 5, 6, 11-15
S4	S1, 2
U2	

CHANNEL 1

LAST USED	OBSOLETE
C157	C102, 121, 125, 127, 128, 131, 132, 142, 143
D136	D100-107, 114-116, 118, 119
N102	
Q124	Q114
R199	R100, 112, 115, 116, 117, 169, 172, 178
R916	R900-905
U104	

CHANNEL 2

LAST USED	OBSOLETE
C257	C202, 221, 225, 227, 228, 231, 232, 242, 243
D236	D200-207, 214-216, 218, 219
N202	
Q224	Q214
R299	R200, 212, 215, 216, 217, 269, 272, 278
R1016	R1000-1005
U204	

CROWN INTERNATIONAL, INC.
1718 WEST MISHAWAKA ROAD ELKHART, IN. 46517 PHONE (219) 294-8000

SCHEMATIC; PT3 MAIN			
PRINTS TO			
DRAWN	TLM	05/03/95	APPROVED BY :
CHECKED	ME		DO NOT SCALE PRINT
SCALE	NONE	EE	SUPERSEDES J0692-4 REV.-
PROJ #	D338	PE TS	E.C.N. EAT#98-116
NEXT ASSEMBLY		05/04/95	C.P.N. SHEET 2 OF 2
			J0692-4